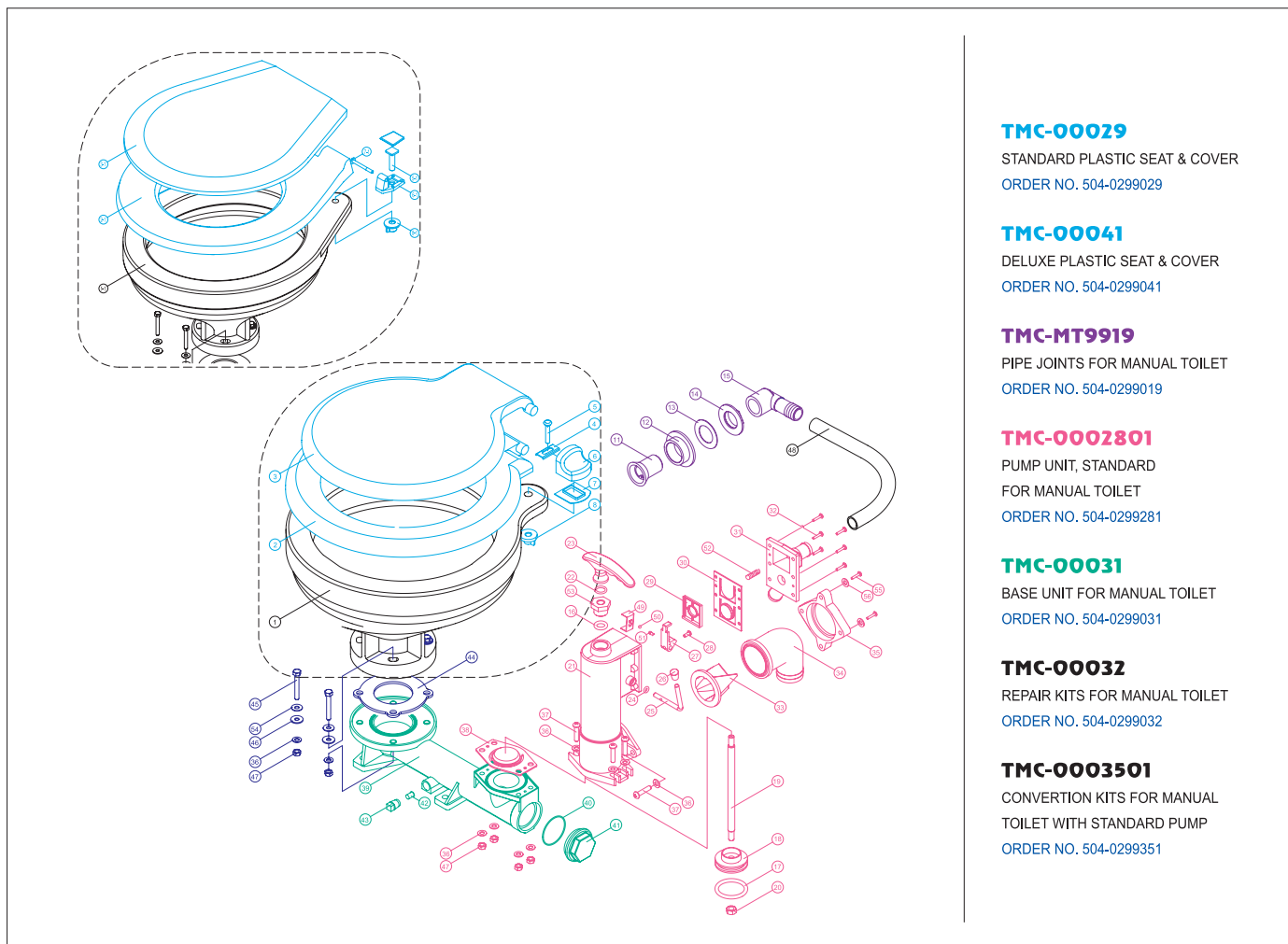


## Service Parts For TMC Manual Toilet Model 99901, 99903



### TMC-00029

STANDARD PLASTIC SEAT & COVER  
ORDER NO. 504-0299029

### TMC-00041

DELUXE PLASTIC SEAT & COVER  
ORDER NO. 504-0299041

### TMC-MT9919

PIPE JOINTS FOR MANUAL TOILET  
ORDER NO. 504-0299019

### TMC-0002801

PUMP UNIT, STANDARD  
FOR MANUAL TOILET  
ORDER NO. 504-0299281

### TMC-00031

BASE UNIT FOR MANUAL TOILET  
ORDER NO. 504-0299031

### TMC-00032

REPAIR KITS FOR MANUAL TOILET  
ORDER NO. 504-0299032

### TMC-0003501

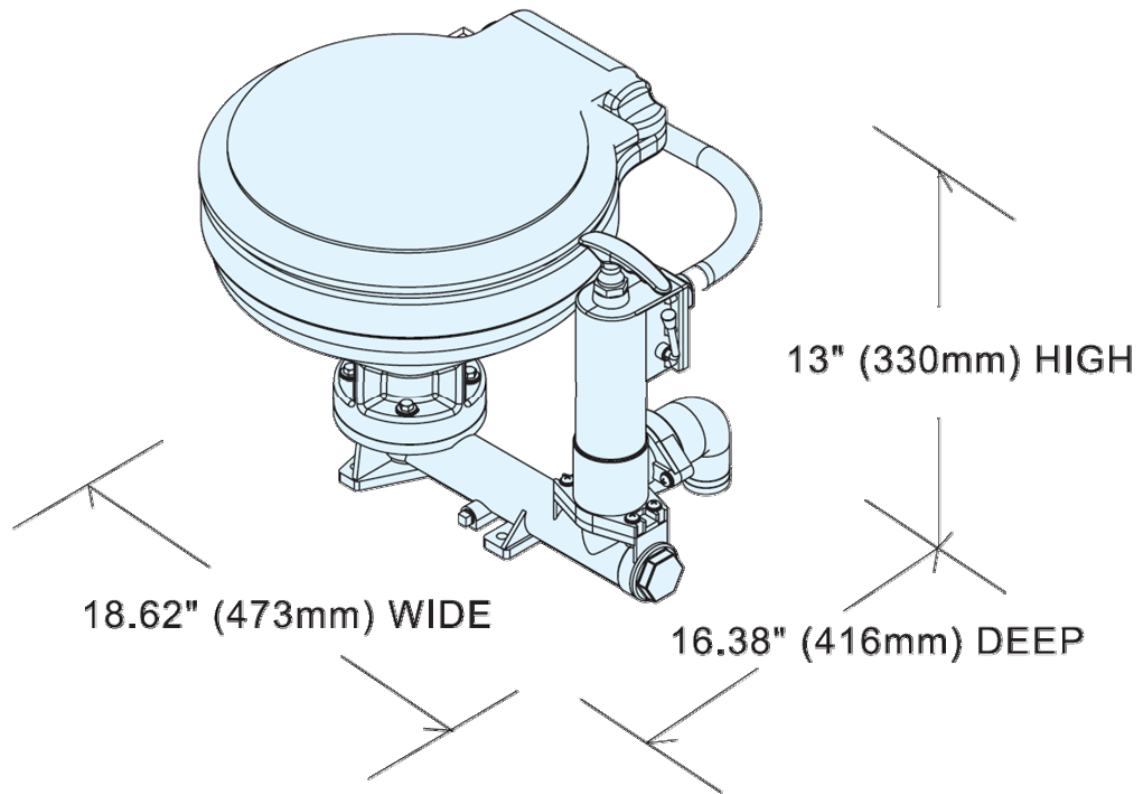
CONVERSION KITS FOR MANUAL  
TOILET WITH STANDARD PUMP  
ORDER NO. 504-0299351

99901	99903	DESCRIPTION	Q'TY	KEY	DESCRIPTION	Q'TY	KEY	DESCRIPTION	Q'TY
1	1-1	Closestool Body	1	21	Pump Housing	1	40	O Ring	1
2	2-1	Seat Cushion	1	22	O Ring	1	41	End Cover	1
3	3-1	Closestool Cover	1	23	Grip	1	42	Plug Packing	2
4	4-1	Washer	2	24	O Ring	1	43	Drain Plug	2
5	5-1	Square Neck Bolt	2	25	Lever	1	44	Base Packing	1
6	6-1	Support	2	26	Lever Head	1	45	Hexagon Bolt	4
7	7-1	Support Packing	2	27	Hook	1	46	Plastic Washer	4
8	8-1	Wing Nut	2	28	Lever Screw	1	47	Hexagon Nut	8
				29	Valve Plate	1	48	Hose	1
11	Joint		1	30	Inlet Valve	1	49	Lock Block	1
12	Joint Packing		1	31	Valve Cover	1	50	Steel Ball	1
13	Flat Washer		1	32	Valve Cover Tapping Screw	6	51	Compression Spring	1
14	Joint Nut		1	33	Bowl Valve	1	52	Spring	1
15	Elbow		1	34	Outlet Elbow	1	53	Lock Nut	1
16	Seal		1	35	Flange	1	54	Flat Washer	4
17	O Ring		1	36	Flat Washer	14	55	Screw	2
18	Piston		1	37	Screw	6	56	Flat Washer	2
19	Shaft		1	38	Valve Flap	1			
20	Hexagon Nut		1	39	Base	1			

- TMC TOILET SERVICE PARTS ARE SOLD BY PACKAGE.
- INDIVIDUAL PART LIST IS FOR REFERENCE ONLY.

# NeosGen

TMC-99901



TMC-99903

